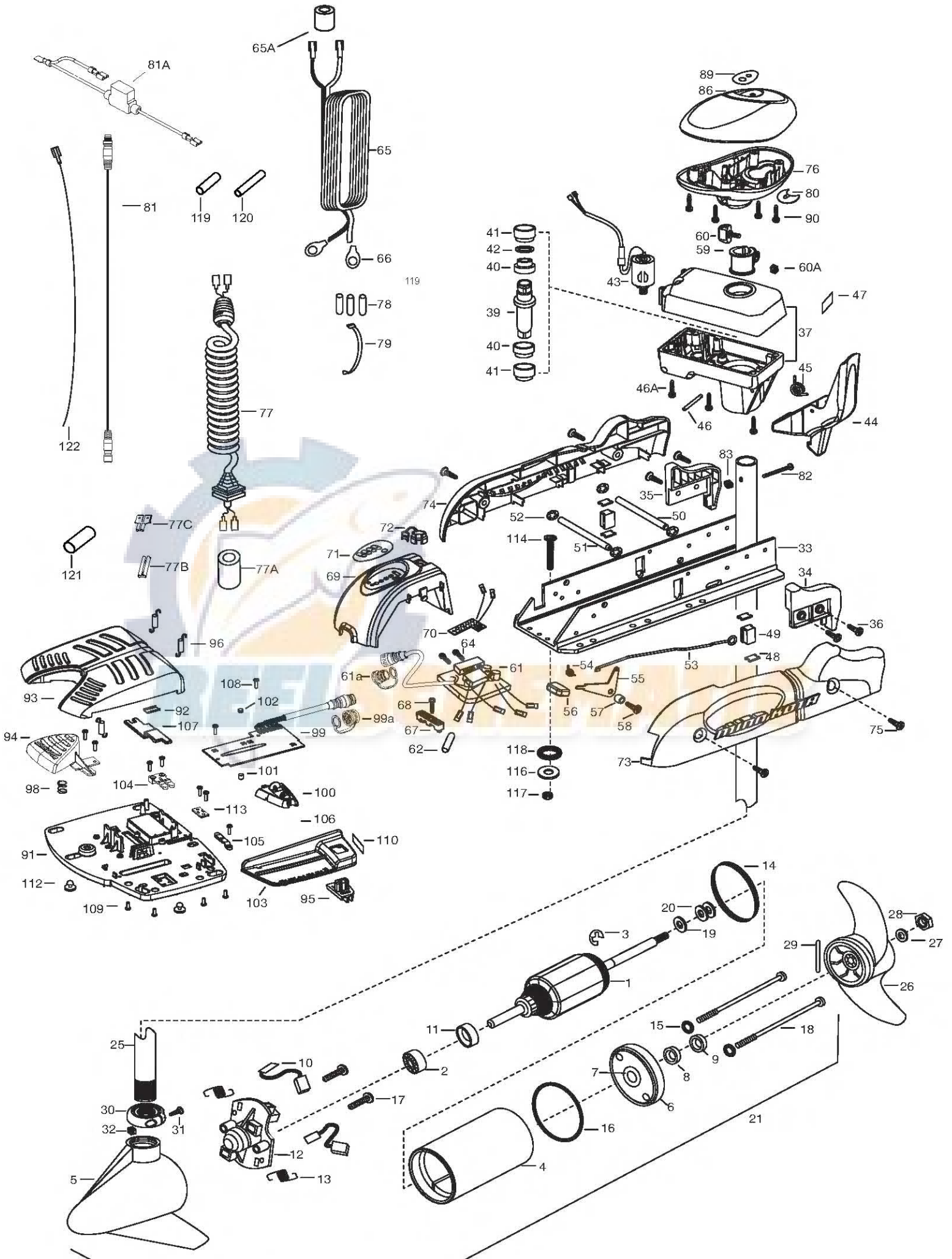


70PD
70 LBS THRUST
24 VOLT 42 AMPS
54" OR 60" SHAFT

for use with "0" serial numbers
2-year warranty



1	2-100-119	ARMATURE ASSEMBLY 24V VARS TXT	*42	2304603	O-RING	80	2224702	INSERT- PLUG
2	140-010	BALL BEARING	43	2307050	MOTOR- DRIVE HOUSING HIGH SPD		2224700	INSERT- PLUG US2
3	788-015	RETAINING RING	44	2307201	LATCH HANDLE PD/AP	81	2211415	UNIVERSAL SONAR II EXTENSION CABLE
4	2-200-005	HOUSING ASSEMBLY CENTER 3.62 TXT	45	2302750	SPRING- LATCH TORSION PD/AP	81A	2218200	FUSE HOLDER, US2 MOTORS ONLY
5	421-065	HOUSING -BRUSH END 3.62 TXT	46	2302627	PIN- ROLL ZINC	82	2033400	SCREW-10-24 X 1-3/4 PPH Z/P
	9421-168	HOUSING - BRUSH END US2	46A	2303407	SCREW - DRIVE HOUSING [6 EA]	83	2013110	NUT-HEX 10-24 ZCP
6	2-400-101	PLAIN END HOUSING ASSEMBLY 3.625	47	2305564	DECAL-STOW/DEPLOY	86	2300237	CONTROL BOX COVER- POWERDRIVE
7	144-049	BEARING - FLANGE (SERVICE ONLY)	48	2305110	PAD-PIVOT SUPT [4.EA]	89	2315685	DECAL- COVER 70PD
8	880-003	SEAL	49	2305103	PIVOT PAD- NEW MTR'L [2.EA]		2315688	DECAL- COVER 70PD US
9	880-006	SEAL WITH SHIELD	50	2300500	PIN-LATCH	90	2012100	SCREW-8-18 X 5/8 THD CUT [4.EA]
10	188-037	BRUSH ASSEMBLY [2.EA]	51	2300510	PIN-PIVOT	■	2994725	FOOT PEDAL ASSEMBLY
11	725-050	BRUSH RETENTION- PAPER TUBE	52	2013100	NUT-SPEED [4.EA]	91	2304505	FOOT PEDAL BASE
12	738-036	BRUSH PLATE W/HOLDER	53	2303612	ROD-RELEASE RT/AP S	92	2308501	WEAR PLATE FOOT PDL
■	2307314	FERRITE BEAD	54	2322700	SPRING-RELEASE LEVER	93	2300255	FOOT PEDAL, CORDED UPPER
13	975-040	SPRING - TORSION [2.EA]	55	2303710	LEVER-RELEASE	94	2303723	BUTTON, MOMENTARY
14	337-036	GASKET	56	2300101	RELEASE-KNOB	95	2303722	BUTTON, MOM/CON
15	701-008	O-RING, THRU-BOLT [2.EA]	57	2301700	SPACER-RELEASE LEVER	96	2302730	SPRING-LONG-UPPER PEDAL [3.EA]
16	701-081	O-RING	58	2303430	SCREW-1/4-20 X 5/8	98	2302732	SPRING-LOWER PEDAL
17	830-007	SCREW-8-32 [2.EA]	59	2031522	COLLAR- DRIVE (W/INSERT)	99	2304052	CONTROL BOARD ASSEMBLY-FT PDL
18	830-008	THRU-BOLT 10-32X9.205 [2.EA]	60	2011365	SCREW-COLLAR/NEW KNOB	99A	2320207	DUST CAP
19	990-067	WASHER- STEEL THRUST	60A	2323104	NUT	100	2308620	SLIDER, SPEED
20	990-070	WASHER - NYLATRON [2.EA]	61	2304065	CONTROL BOARD ASSEMBLY- 24V AP	101	2308409	MAGNET, 1/4 X 1/4
21	2096051	MOTOR ASSEMBLY 24V 3.62 54"	61A	2320208	DUST COVER	102	2778408	MAGNET, 1/4 X 1/8
	2096032	MOTOR ASSEMBLY 24V 3.62 60"	62	2355410	SHRINK TUBE-3/8 ODX2	103	2300252	COVER, SPEED SELECTOR
	2106045	MOTOR ASSEMBLY US2 24V 3.62 54"	64	2303434	SCREW-8-32 X 5/8 [3.EA]	104	2308606	SWITCH, DOUBLE FINGER
	2106036	MOTOR ASSEMBLY US2 24V 3.62 60"	65	2090651	LEADWIRE IOGA 44"	105	2308608	SWITCH, SINGLE FINGER
25	2032076	TUBE-CARBON COMPOSITE 54"	65A	2307310	BEAD - FERRITE (CE MODELS ONLY)	106	2307900	WHEEL, SPEED
	2032074	TUBE-CARBON COMPOSITE 60"	66	2020700	TERMINAL RING [2.EA]	107	2308625	SLIDER, STEERING
■	1378131	PROPELLER KIT	67	2321310	STRAIN RELIEF- BRACKET PD/AP	108	2302100	SCREW-6-20 X 1/2 [9.EA]
26	2091160	PROPELLER W/WEDGE 2	68	2323405	SCREW-1/4-20 X 5/8	109	2372103	SCREW-6.20 X 3/8 [4.EA]
27	2151726	WASHER-5/16 SS	69	2306555	HOUSING- CENTER PD/AP	110	2316600	DECAL, ON/OFF SWITCH
28	2053101	NUT-PROP NYLOC	70	2074071	BATTERY GAUGE - 24 VOLT	112	2994859	BAG ASSEMBLY- 5 RUBBER BUMPERS
29	2092600	PIN-DRIVE	71	2316605	DECAL, BATTERY GAUGE	113	2302907	STRN RLF PD FP
30	2301545	COLLAR- LATCH PD/AP	72	2302935	STRAIN RELIEF-DR. HOUSING	■	2994864	BAG ASSEMBLY- (BOLT,NUT,WASHERS)
31	2303434	SCREW- 8-32X5/8 MACH PHCR	73	2303960	SIDEPLATE (RIGHT)PD MK	*114	2263462	BOLT-MOUNTING-1/4X2 W/STG [6.EA]
32	2303112	NUT 8-32 NYLOC SS	74	2303965	SIDEPLATE(LEFT)PD MK	*116	2261713	WASHER-1/4 [6.EA]
33	2301936	EXTRUSION- BASE MACHINED	75	2303430	SCREW-1/4-20 X 5/8- [4.EA]	*117	2263103	NUT NYLOK 1/4-20 MTG [6.EA]
34	2303932	MOTOR REST- RIGHT 3-5/8	76	2302515	CONTROL BOX PD/AP	*118	2301720	WASHER-MOUNTING RUBBER [6.EA]
35	2303937	MOTOR REST- LEFT 3-5/8	77	2991283	COIL CORD WSTRAIN RELIEF 48, 54"	■	2888460	SEAL & ORING KIT
36	2303430	SCREW 1/4-20X5/8 SELF TAP [4.EA]		2991284	COIL CORD WSTRAIN RELIEF 60"	119	2335400	SHRINK TUBE-1/2" OD X 2
37	2771826	DRIVE HOUSING / LATCH HANDLE ASSY	77A	2307313	FERRITE BEAD	120	2375400	SHRINK TUBE-1/4" OD X 1-3/4"
■	2882011	BUSHING/ OUTSHAFT KIT (INCLUDES 39-42)	77B	2320715	ADAPTER-TAB .25 F-F	121	2325401	SHRINK TUBE-3/4" OD X 2" W/ADHS
*39	2302010	DRIVE HOUSING OUTPUT SHAFT	77C	2320710	TERMINAL-AMP (T-TAB)	122	640-316	LEADWIRE, BROWN 71"
*40	2307304	BUSHING- INNER [2.EA]	78	2065400	WIRE INSULATOR-LGE 1-3/4 [3.EA]		640-317	LEADWIRE, BROWN 86"
*41	2307305	BUSHING- OUTER [2.EA]	79	2256300	TIE WRAP-5" BLACK			

* This item is part of an assembly. This item cannot be sold separately due to machining and /or assembly that is required.

